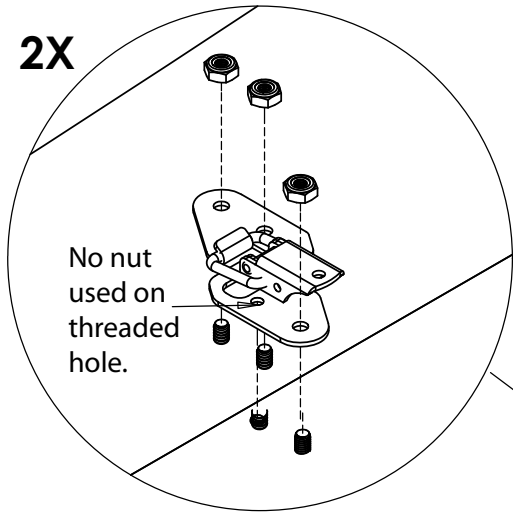


Board Clip Installation



2X



NOTE: Use existing hardware on Splitboard to mount board clips.

