

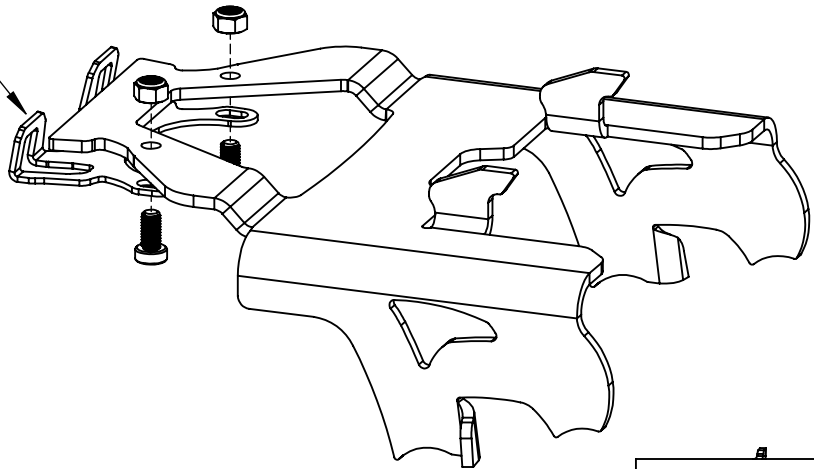
PRIME Universal Splitboard Crampons

Assembly and Use Instructions

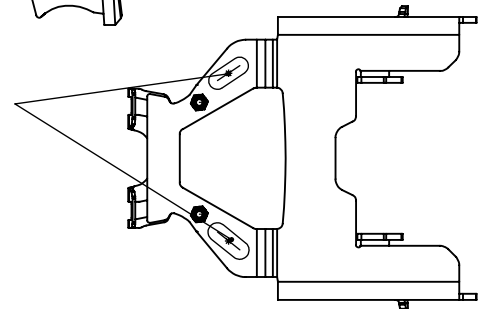
Assembly:

1. Attach Crampon Clip
2. Adjust Crampon Clip to about 1/16" from heelstay
3. Tighten screw with M5 Allen Key and crescent wrench

Crampon Clip

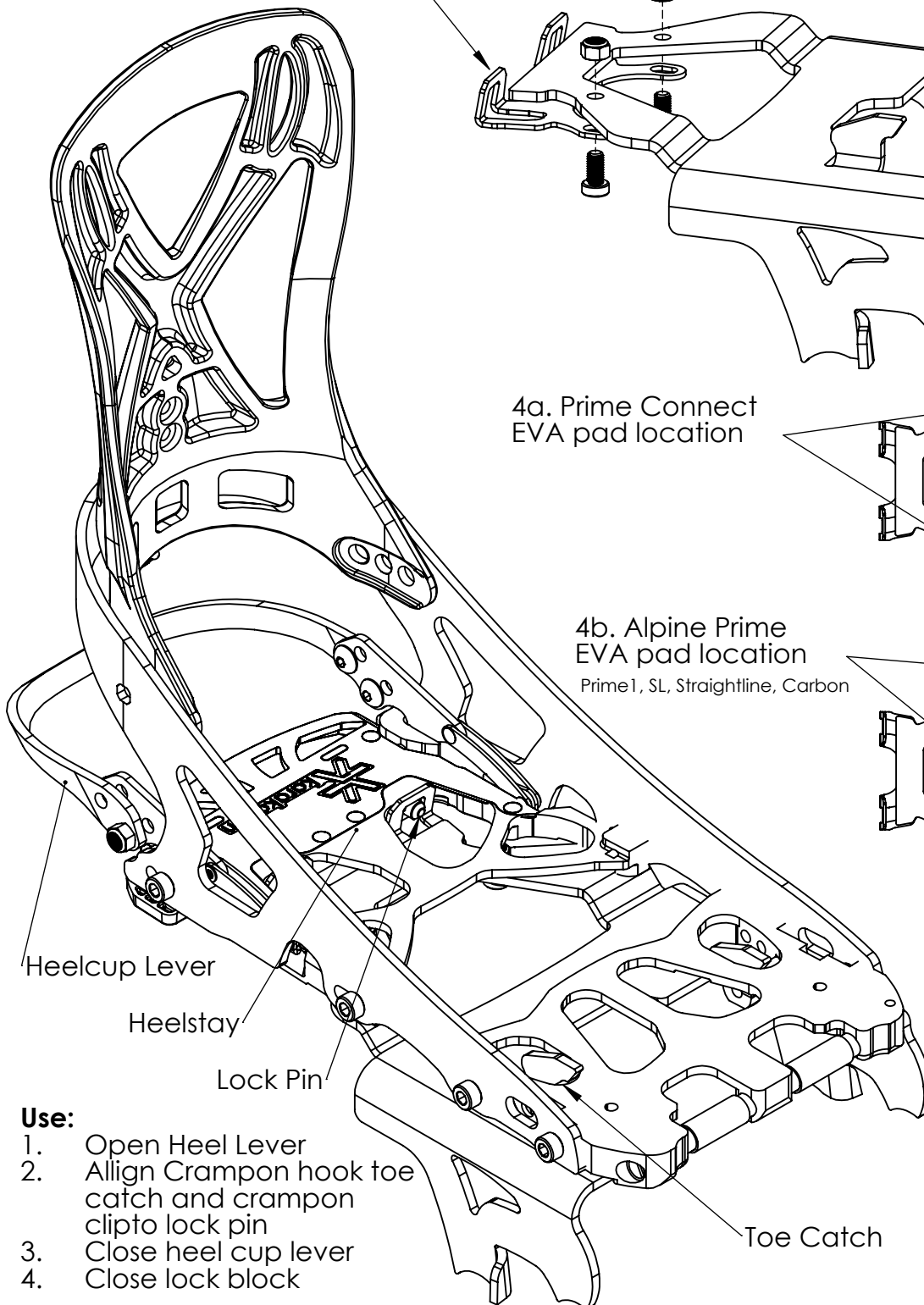
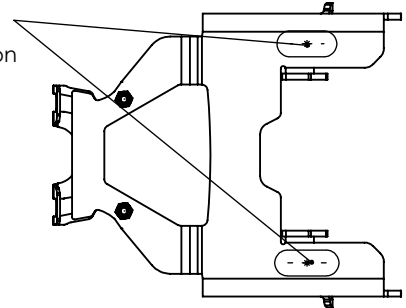


4a. Prime Connect
EVA pad location



4b. Alpine Prime
EVA pad location

Prime1, SL, Straightline, Carbon



Heelcup Lever

Heelstay

Lock Pin

Toe Catch

Use:

1. Open Heel Lever
2. Align Crampon hook toe catch and crampon clip to lock pin
3. Close heel cup lever
4. Close lock block