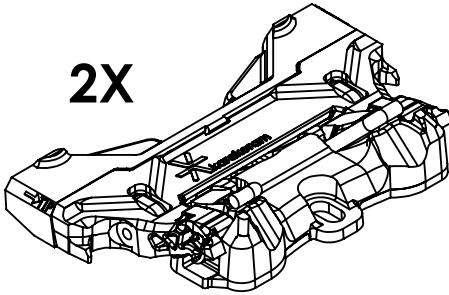


Dual-Speed Riser

Assembly and Use Instructions

PARTS:

2X



4X



M6x8mm Buttonhead Screw

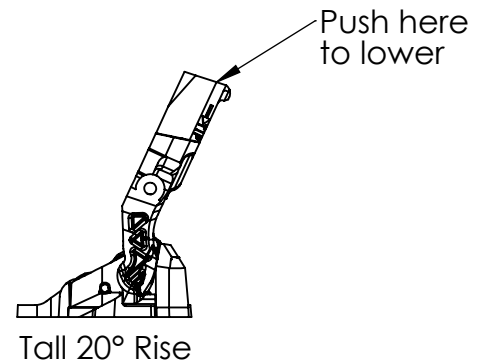
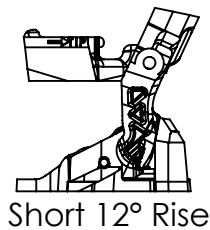
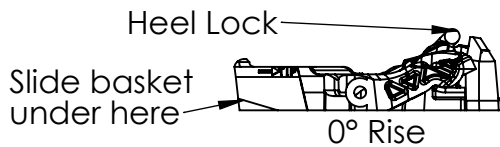
Dual-Speed Riser:

Operation:

1. Slide basket of ski pole under tall riser to flip up
2. Flip riser to short position or long position with tip of ski pole
3. Lower riser by pushing on tall riser towards tail of ski

Heel Lock Operation:

1. Flip Heel Lock up
2. Close Heelcup Lever to engage pins with Heel Lock



Scan QR Code for
video instructions or visit
www.splitboardbindings.com/products/flip-speed-riser