

# Prime Connect

## Assembly and Use Instructions

Patented US8469372B2, US8733783B2, US9138628B2, 9937407B2 and Patents Pending

 [www.karakoram.com](http://www.karakoram.com)

 [instagram.com/karakorambc](https://www.instagram.com/karakorambc)

 [facebook.com/karakorambc](https://www.facebook.com/karakorambc)

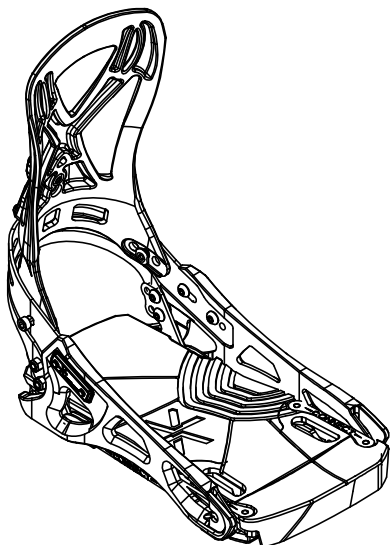
### Size Chart:

Small: 6-8

Medium: 8.5-11

Large: 11.5-13

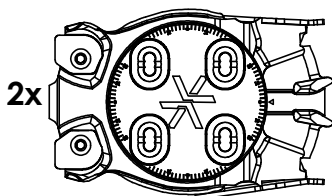
Women's: W6-W8



**2x Bindings (L and R)**

### Quiver-Connector

Sold separately in some countries

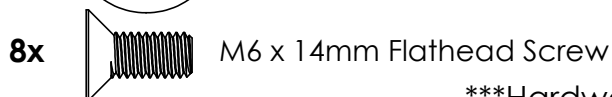


Quiver-Connector

### Quiver-Connector Hardware



M6 washer



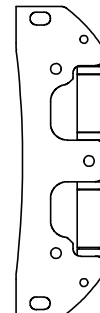
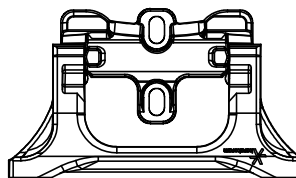
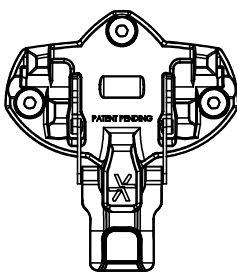
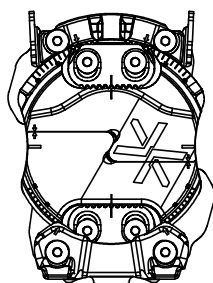
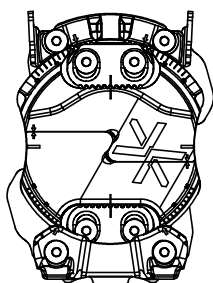
M6 x 14mm Flathead Screw

\*\*\*Hardware shown to scale



Scan QR Code for video instructions or visit [www.karakoram.com](http://www.karakoram.com)

### SPLIT KIT (Sold Separately in some countries)



**1x Ride Mode 2.0 - Left and Right**

**2x Tour Modes**

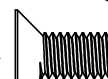
**2x Single Flip-Speed Riser**

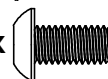
**2x Tour Mode Adapters**

### SPLIT KIT Hardware:

6x  M6x10mm Buttonhead Screw  
Tour Mode

10x  M6x8mm Buttonhead Screw  
4x for Flip-Speed Riser  
6x extra for Tour Mode with thin core boards

8x  M6x14mm Flathead Screw  
Ride Mode 2.0

4x  M5x 10 mm Buttonhead Screw  
Tour Mode Adapter

4x  M5 Nylock Nut  
Tour Mode Adapter

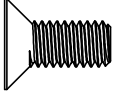
### Tools:

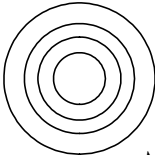
- M4 Allen Wrench (Binding Hardware, Interfaces)
- M3 Allen Wrench (Highback Fwd Lean, Heel Lever Size Adjustment)
- Crescent Wrench or 8 mm socket (Heel Lever Size Adjustment)

### Disclaimer:

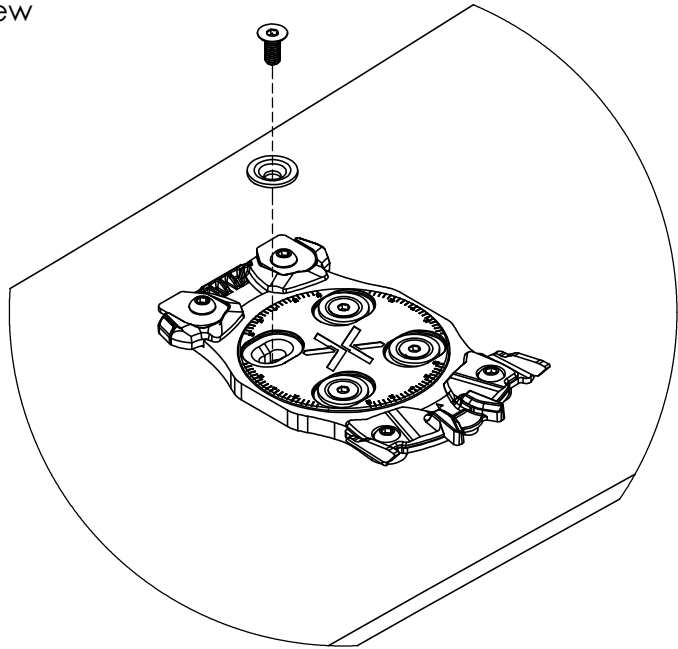
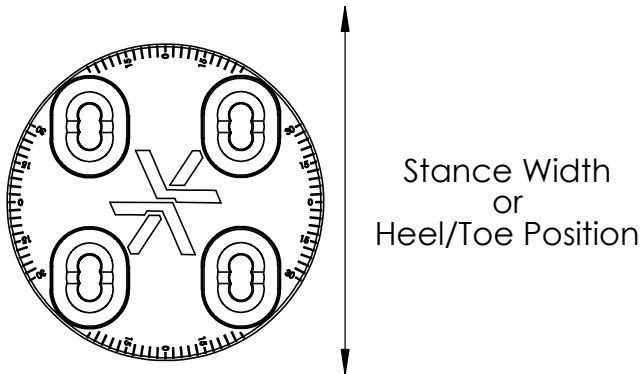
Snowboarding is an inherently dangerous and hazardous sport and can result in serious injury or death. Karakoram shall have no liability for injuries sustained by use or mis-use of this product. The user takes full responsibility for learning proper backcountry travel and avalanche safety.

## Quiver-Connector Installation

8x  M6 x 14mm Flathead Screw

8x  M6 washer

### Disk Micro-Adjustment

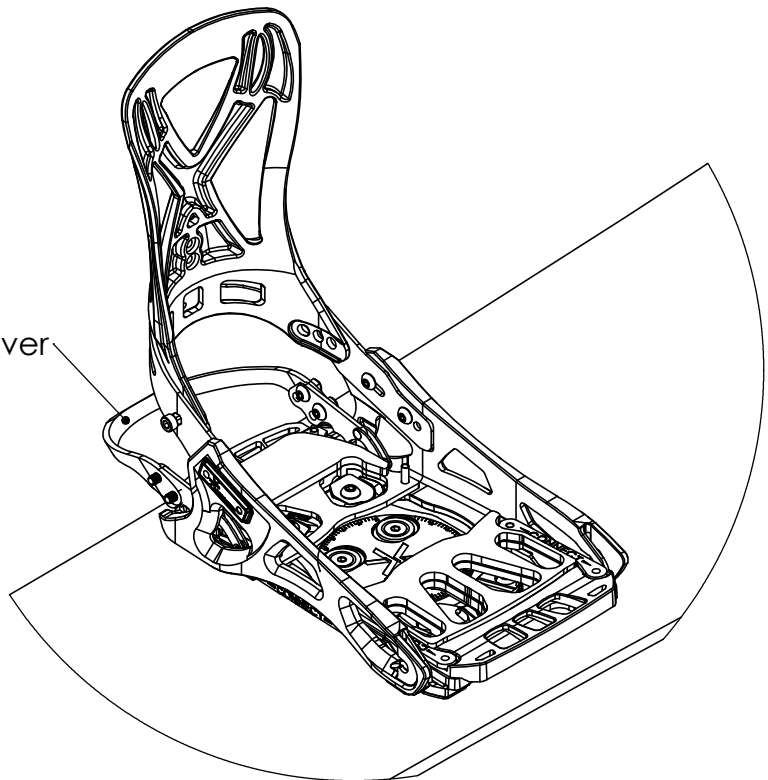
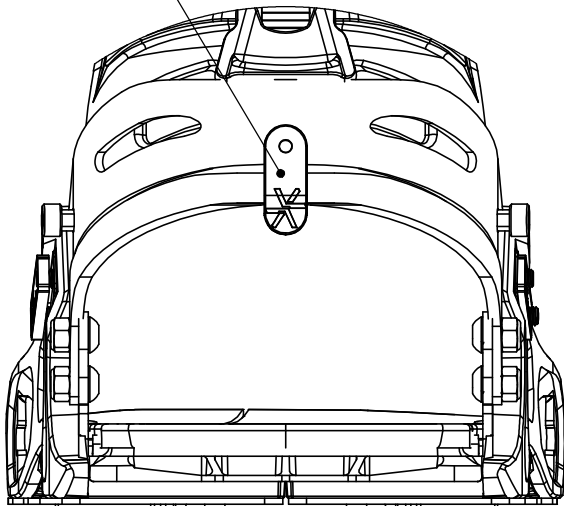


## Quiver-Connector Use

1. Open Power-Link Lever to install binding onto Quiver-Connector
2. Close Power-Link Lever to attach binding to Quiver-Connector

Lock-Block

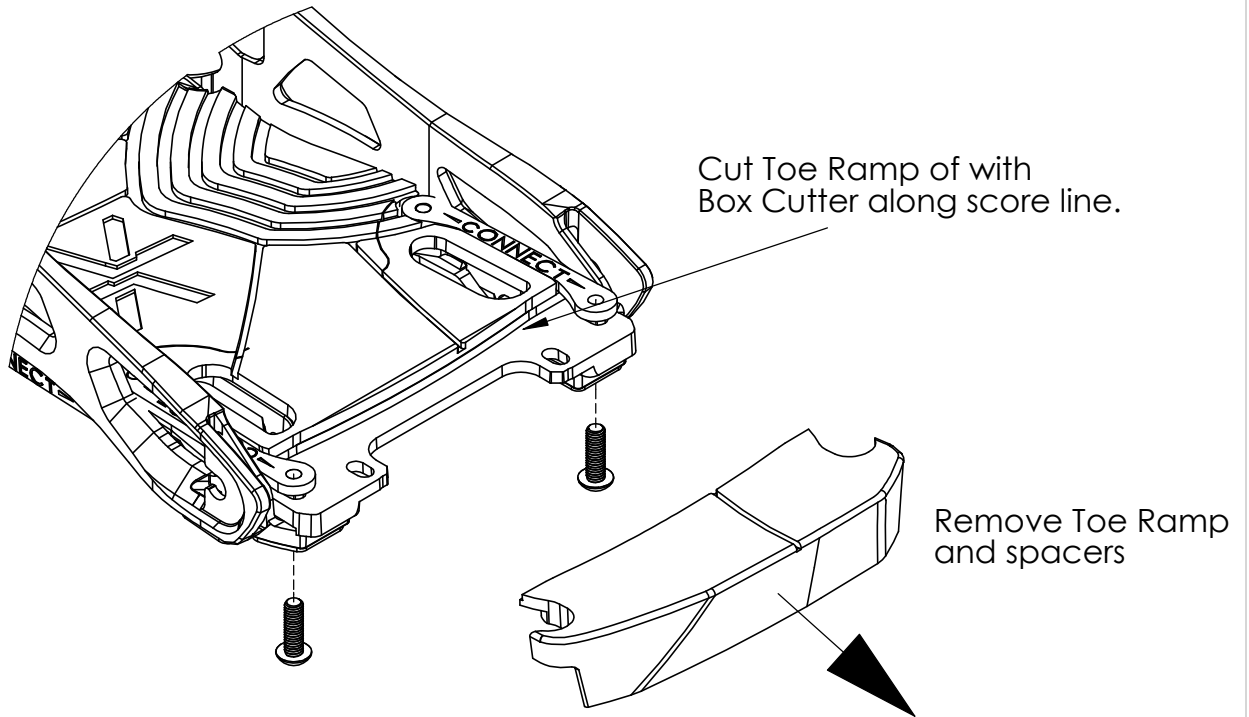
Power-Link Lever



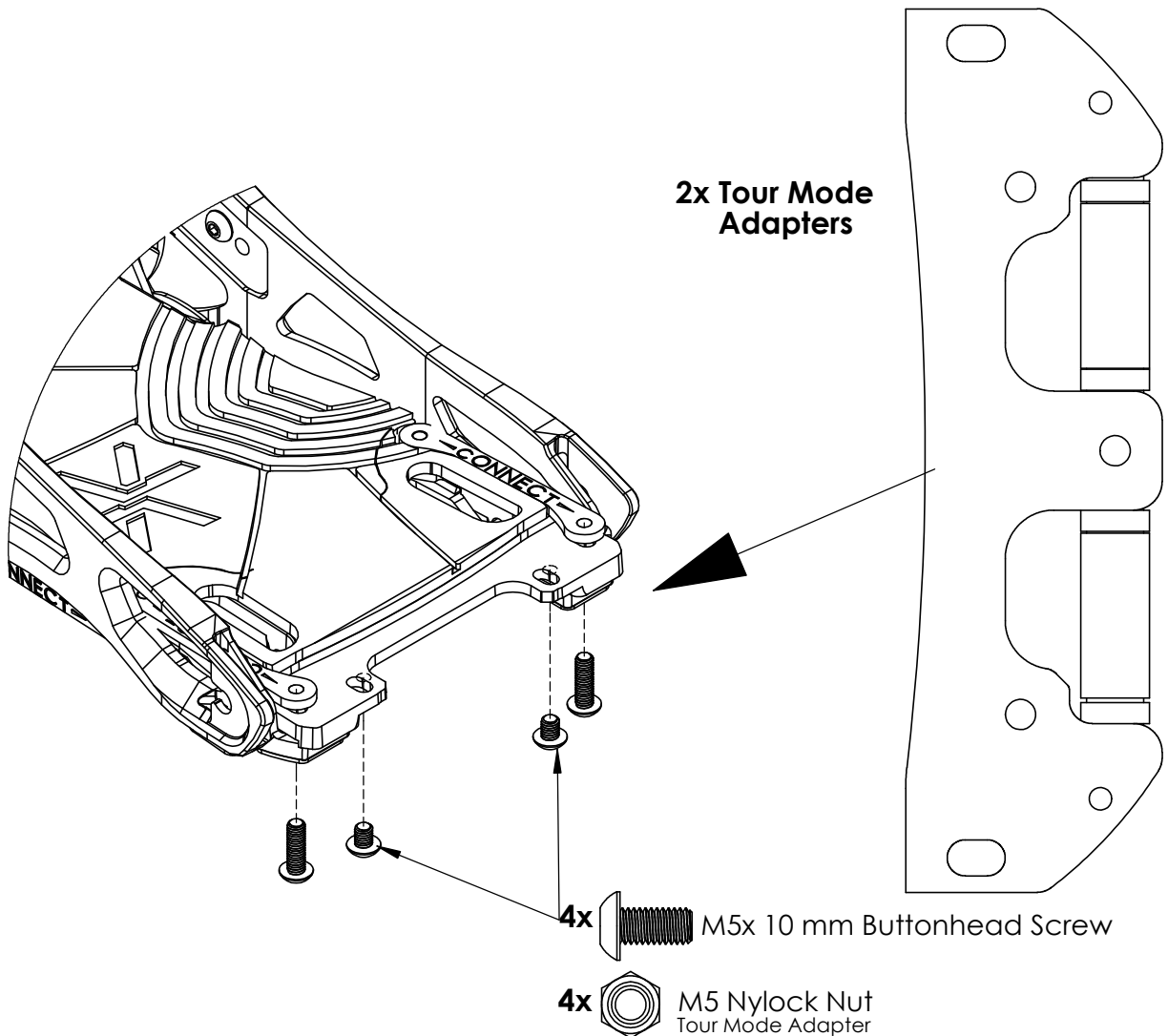
3. Close Lock-block over Power-Link Lever

# Split Kit Installation

1.

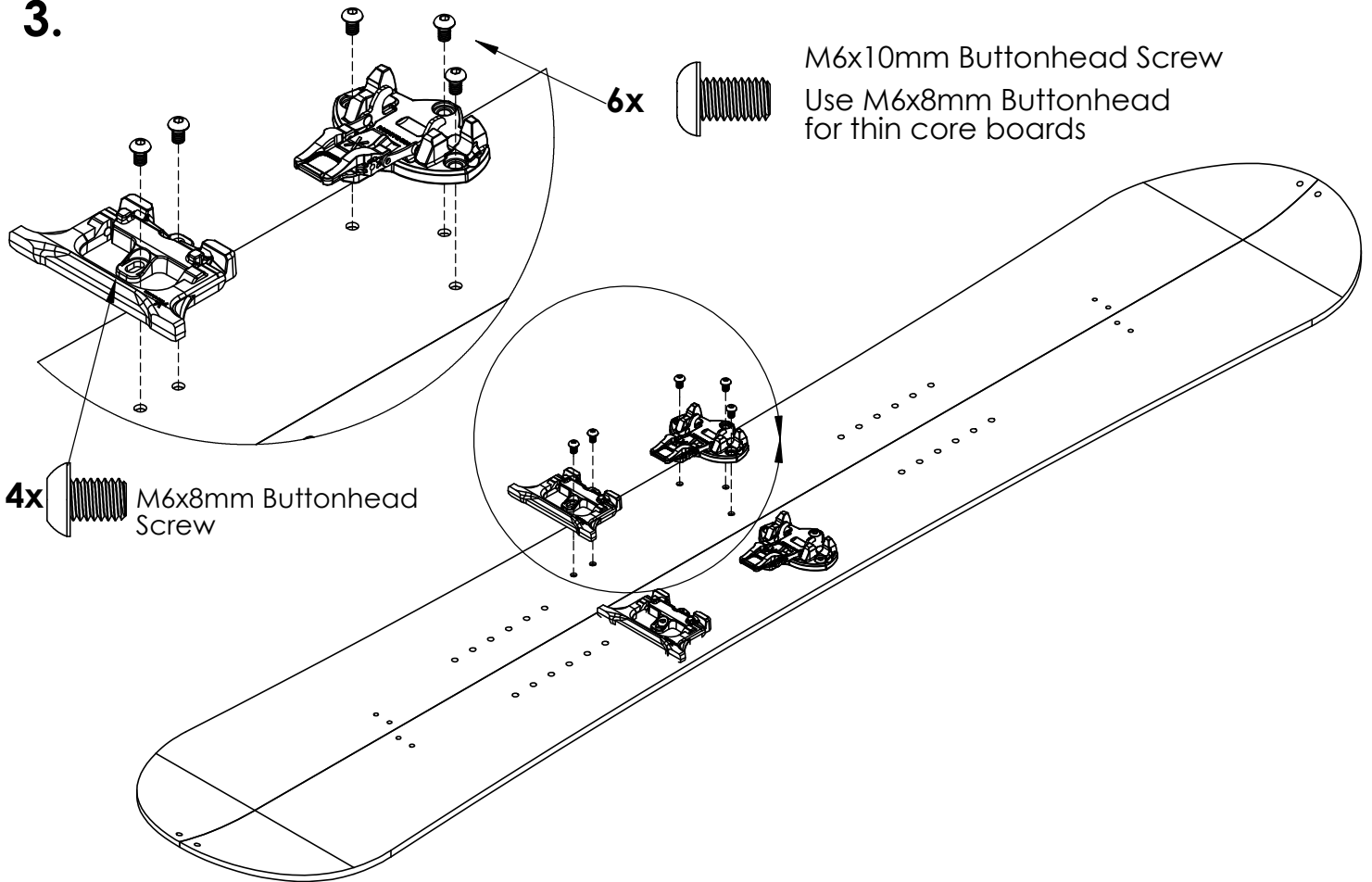


2.



## Production Splitboard Installation

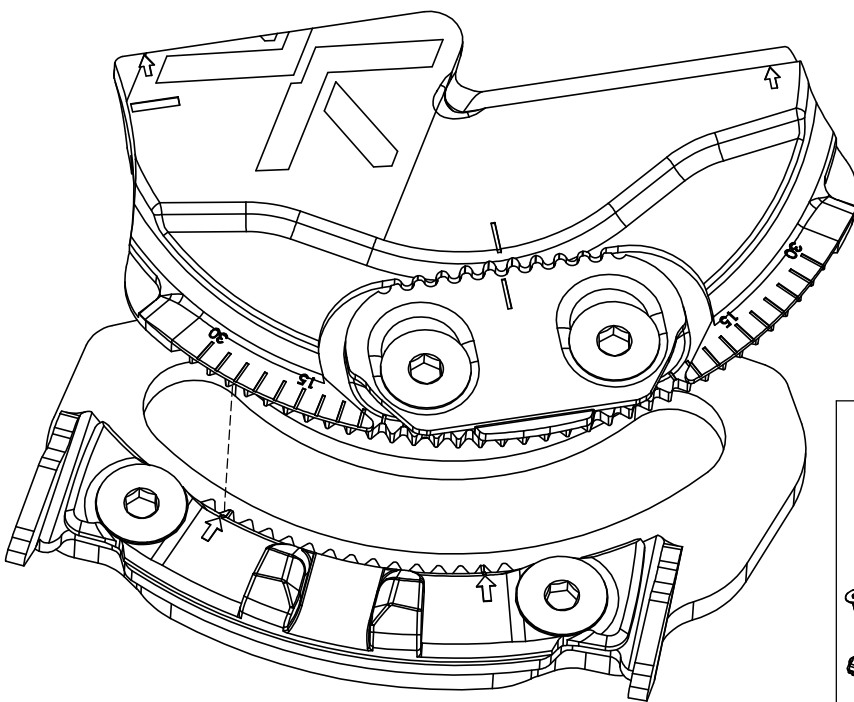
3.



## 4. Set Toeside Stance Angles

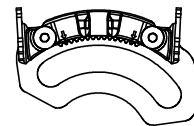
### Preset Angles:

Front Foot: 30° max, -10° min  
Back Foot: 10° max, -30° min

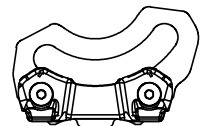
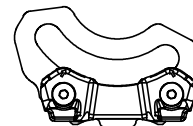
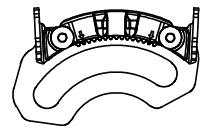


Angles in 3° increments

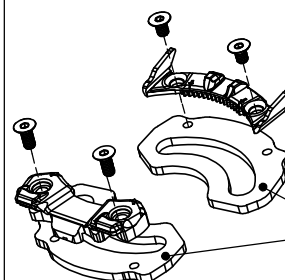
Left



Right



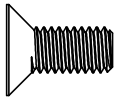
For greater than 10° on Back Foot

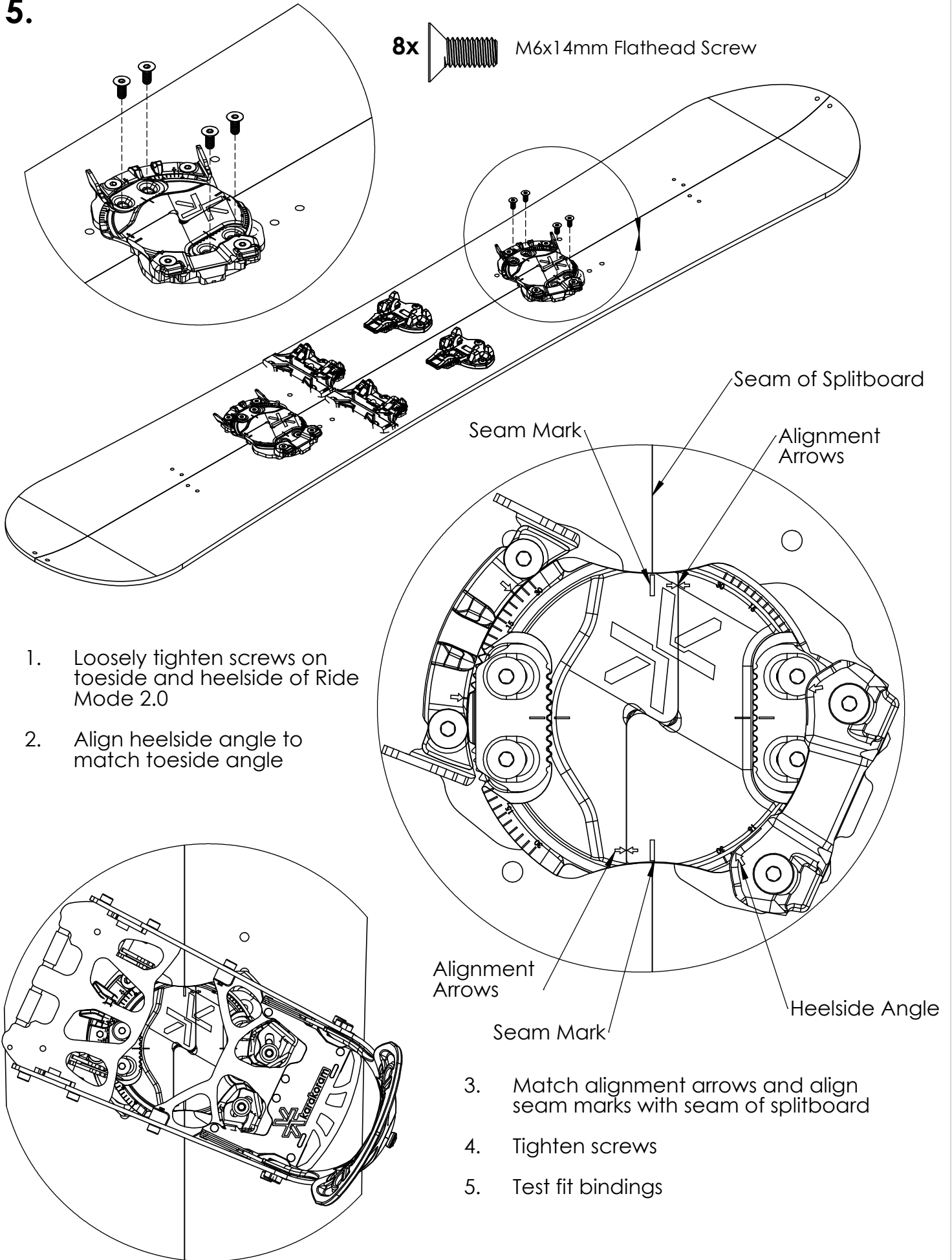


- A. Remove Hardware
- B. Flip Angle Plates
- C. Reinstall Hardware

Angle Plate

5.

8x  M6x14mm Flathead Screw



1. Loosely tighten screws on toeside and heelside of Ride Mode 2.0
2. Align heelside angle to match toeside angle

3. Match alignment arrows and align seam marks with seam of splitboard
4. Tighten screws
5. Test fit bindings

## 6. Binding Size Adjustment

### SMALL POSITION

#### Size Setting:

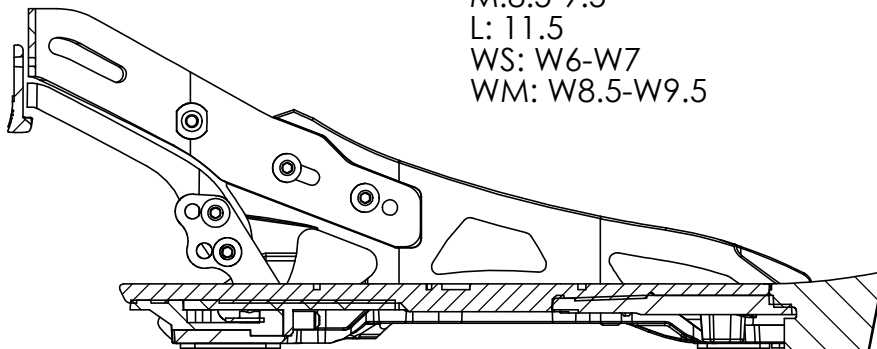
S: 6-7

M: 8.5-9.5

L: 11.5

WS: W6-W7

WM: W8.5-W9.5



### LARGE POSITION

#### Size Setting:

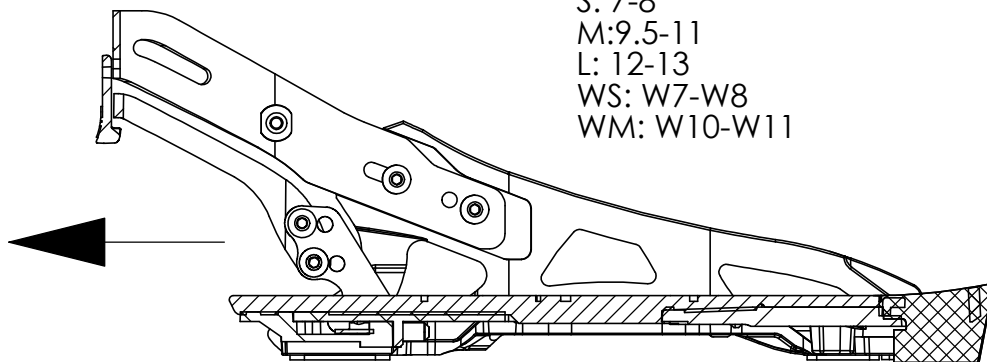
S: 7-8

M: 9.5-11

L: 12-13

WS: W7-W8

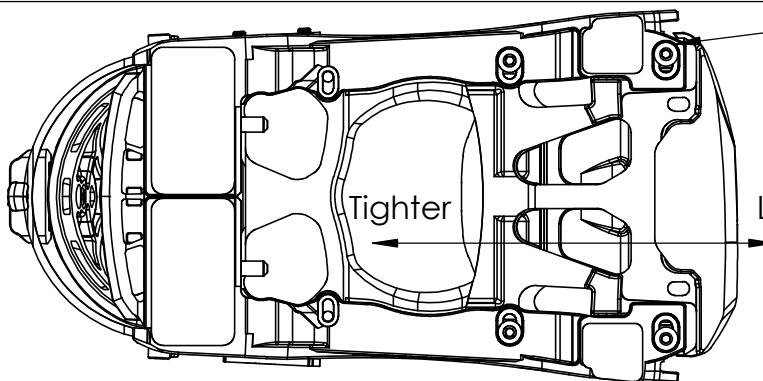
WM: W10-W11



## 7. Binding Fit



Only adjust if binding is loose on ride mode



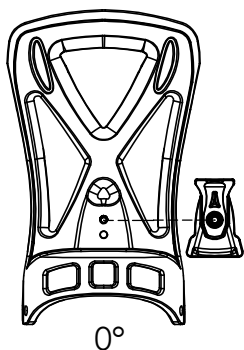
1. 4X Loosen Screws with M3 Allen

2. Adjust position of toestay

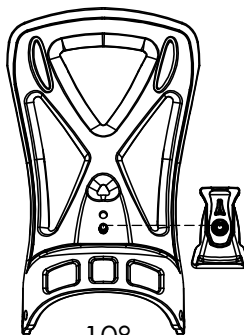
3. Tighten Screws 1/4 turn past hand tight.

## Forward Lean Adjustment:

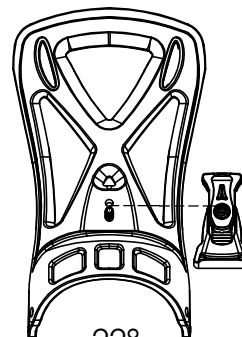
Bindings come set at 12° fwd lean



0°



10°

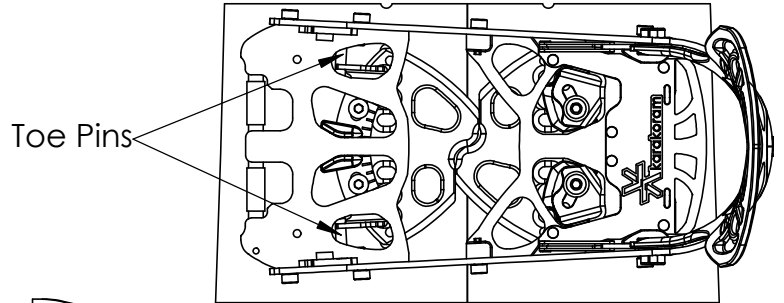
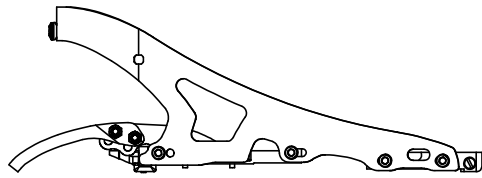


22°

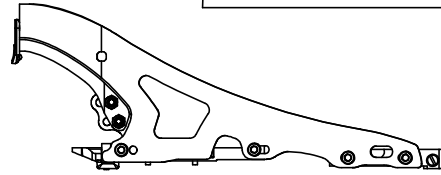
# Prime Splitboard System Use Instructions

## Ride Mode:

1. Open Heelcup Lever
2. Attach binding to Ride Mode, aligning Toe Pins and Ride Mode Toe Attachment



3. Close Heel Lever and Safety



## Tour Mode:

1. Lift Tour Mode Lever
2. Align Toe Pin in cradle of Tour Mode
3. Rotate heel of binding downward to close Tour Mode Lever
4. Check that Tour Mode Lever has popped over-center

